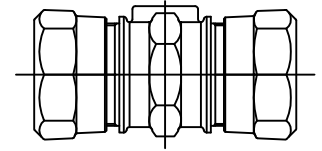


Cambridge Brass
P.O. Box 249
140 Orion Place
Cambridge, Ontario
Canada N1R 5V1
Tel: (519) 621-5520
Fax: (519) 621-8674
http://www.cambridgebrass.com

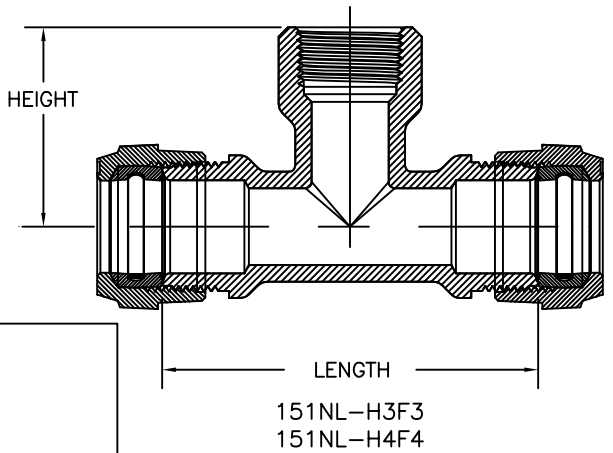
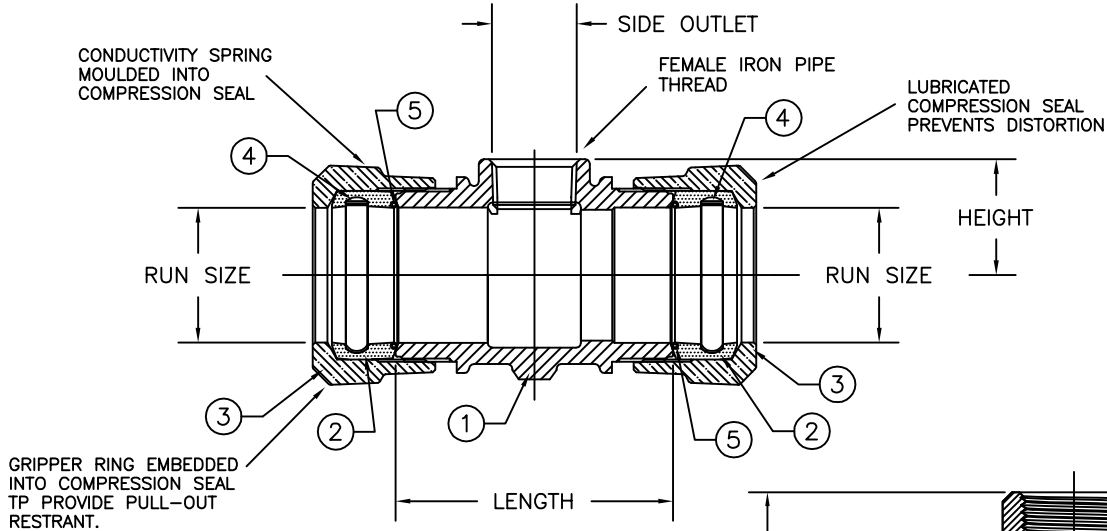


MODEL NO. 151NL

CB COMPRESSION x CB COMPRESSION
x FEMALE IRON PIPE

SERVICE TEE

FOR COPPER OR PLASTIC (CTS) TUBING BY THREADED PIPE OUTLET



PARTS AND MATERIAL:

1. TEE BODY: CAST BRASS, ALLOY C89833
2. COMPRESSION SEAL: EPDM
3. COMPRESSION NUT: CAST BRASS, ALLOY C83600
4. GRIPPER: STAINLESS STEEL, ALLOY 302
5. CONDUCTOR SPRING: BRASS

FEATURES:

- MANUFACTURED IN COMPLIANCE WITH AWWA STANDARD C800 (ASTM B-62 AND ASTM B-584, UNS NO C83600-85-5-5-5).
- 300PSI WORKING PRESSURE
- NO LEAD PARTS CONFORM TO ANSI/NSF 61-8
- NO LEAD PARTS CONFORM TO ANSI/NSF 372 (COMPLIANT WITH US Safe Drinking Water Act. PL 111-380)

Cambridge Brass considers the information in this submittal form to be correct at the time of publication. Item and option availability, including specifications, are subject to change without notice.

| TEE SIZE | CATALOG No. | RUN SIZE CAMPAK | SIDE OUTLET F.I.P. | LENGTH | HEIGHT | APPROX. WT. LBS. |
|---------------|-------------|-----------------|--------------------|--------|--------|------------------|
| 3/4" x 3/4" | 151NL-B3F3 | 3/4" | 3/4" | 3.66" | 1.94" | 1.3 |
| 1" x 1" | 151NL-B4F4 | 1" | 1" | 4.20" | 2.10" | 2.4 |
| 1 1/2" x 3/4" | 151NL-H6F3 | 1 1/2" | 3/4" | 3.40" | 1.42" | 3.3 |
| 2" x 3/4" | 151NL-H7F3 | 2" | 3/4" | 4.16" | 1.60" | 4.6 |
| 2" x 1" | 151NL-H7F4 | 2" | 1" | 4.16" | 1.60" | 6.0 |

Submitted by: